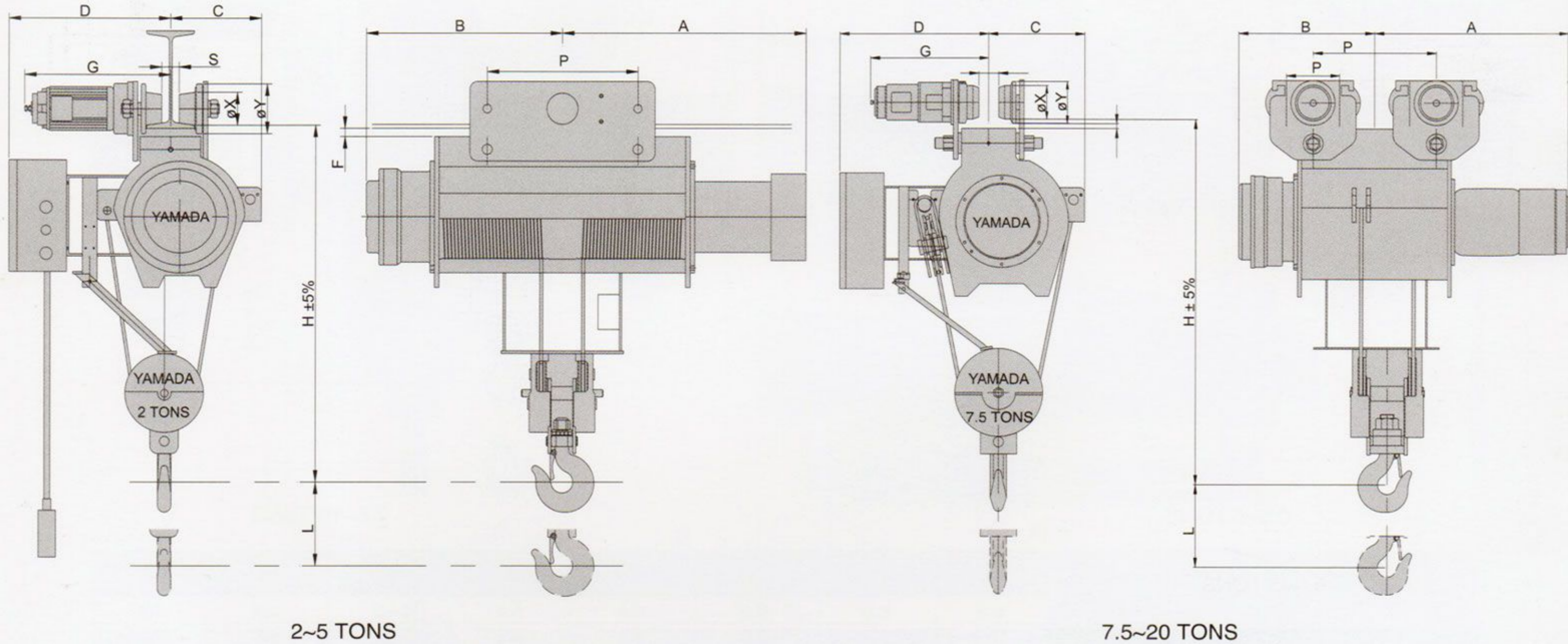


# EB TYPE (SINGLE SPEED)

## MONO-RAIL WITH MOTOR-DRIVEN TROLLEY



2~5 TONS

7.5~20 TONS

Hoisting	CAPACITY		2	3	5	7.5	10	15	20					
	M/min	50Hz		3.0	2.9	2.9	3.0	2.5	2.5	2.5				
60Hz			3.6	3.5	3.5	3.6	3.0	3.0	3.0					
Kw	50Hz		1.5	3.7	5.5	5.5	7.5	11	11					
	60Hz								15					
Traveling	M/min	50Hz	15	14	13	13	13	12	12					
		60Hz	18	17	16	16	16	15	15					
Kw	50Hz		0.37	0.37	0.75	0.75	0.75	1.1	1.5					
	60Hz													
Wire rope	Diameter		Ø8	Ø10	Ø12	Ø14	Ø14	Ø20	Ø22.4					
	Structure		6X37											
	Nos		2	2&4	4									
CAP	TYPE	Approximate Dimension (mm)												
		L(M)	A	B	C	D	F	X	Y	G	S	H	P	Kg
2T	EBN-020	6	525	460	225	420	22	85	129	380	46	920	175	255
		9	600	535									390	280
3T	EBN-030	6	560	435	265	540	22	95	138	385	38	1110	178	300
		9	630	510									380	330
5T	EBN-050	6	735	525	470	475	23	135	168	470	32	1225	217	480
		9	800	590									420	520
		12	900	690									420	560
7.5T	EBN-075	6	790	550	390	605	20	135	168	480	82	1480	217	825
		9	900	665									500	875
		12	1005	770									500	925
10T	EBN-100	6	865	720	325	550	30	150	180	550	71	1630	239	1045
		9	915	820									600	1105
		12	965	825									600	1165
15T	EBN-150	6	970	750	430	670	22	190	230	650	66	2000	305	1655
		9	1070	850									600	1765
		12	1150	930									600	1875
20T	EBN-200	6	1025	780	550	685	22	190	230	675	69	1860	305	2020
		9	1125	880									620	2150
		12	1225	980									620	2280